



ROOF MOUNTED FANS

TH ATEX Series

TH-800 EXEIICT3 (230V50HZ) VE



TH ATEX Motors

- Single Phase 230V 50 Hz
- IP44 Class B
- ATEX Increased safety-Gas

For models 250 and 315.

IIG Exe IIC T3 Gb

EC: LOM 11 ATEX 2021 X Supplement 1

For model 800

IIG Exe IIC T3 Gb

EC: LOM 08 ATEX 2052 X Supplement 2

See data for selection or refer to Easyvent



Range of roof mounted mixed flow fans, specially designed for the extraction of potentially hazardous and explosive gases, manufactured from sheet steel protected with black polyester paint coating (except TH-800/200 manufactured from plastic to prevent retention of static electricity, base and cap manufactured from sheet steel protected with black polyester paint coating). Bird-proof guard. Detachable fan unit without demounting duct connections.

+ Attributes



IP55, external terminal box

External terminal box, easy access, IP55, fireproof plastic V0.



ATEX capacitor

+ Acoustic characteristics

Hz	63	125	250	500	1k	2k	4k	8k	Overall
Inlet (LwA)	19	44	64	73	75	70	65	57	78
Inlet LpA @ 1,5m	4	29	49	58	60	55	50	42	64
Outlet (LwA)	42	51	64	76	75	72	66	57	80
Outlet LpA @ 1,5m	27	36	49	61	60	57	51	42	65

"

+ Technical characteristics

CONSTRUCTION

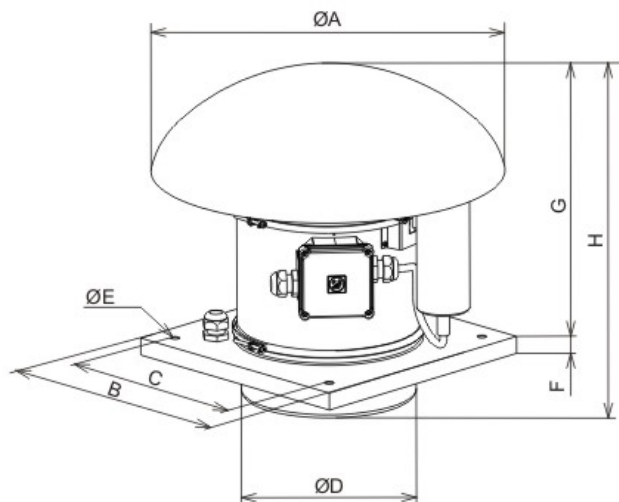
Diameter	200
Weight	8 kg

MOTOR CHARACTERISTICS

Voltage	400~3
Maximum absorbed current	0,3 A
IP Rating	IP44
Motor insulation class	

"

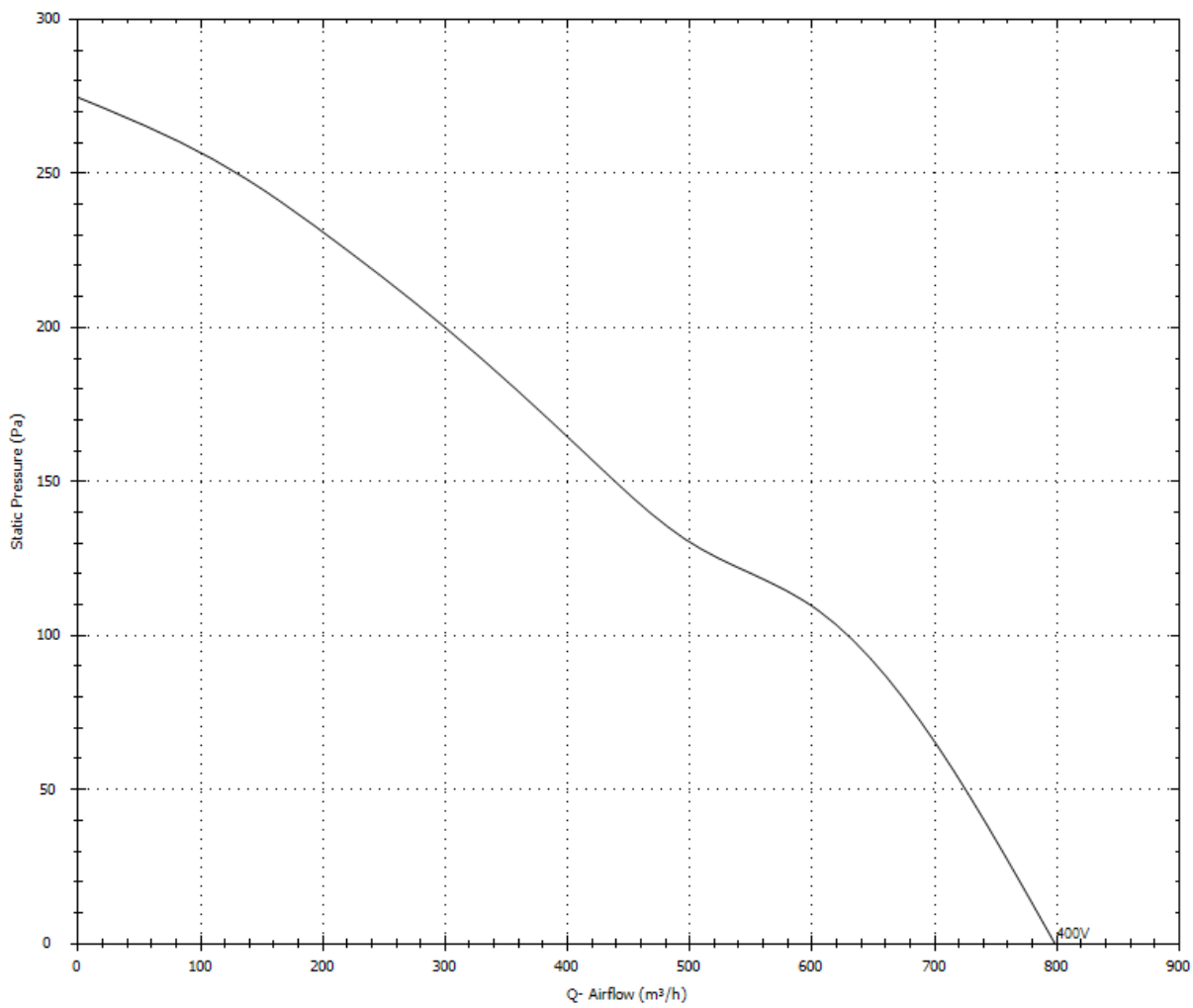
+ Dimensions



A	B	C	D	E	F	G	H
400	300	245	197,5	10,5	20	312	377

"

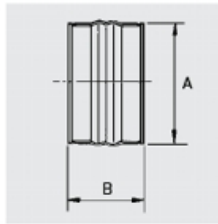
+ Curves



+ Specific Accessories



ACOPEL EX N
Explosion proof
flexible connection.



Model	Model connection	ØA	B
TH-800/200 EX	ACOPEL EX-200/160 N	200	160
TH-1100/250 EX	ACOPEL EX-250/160 N	250	160
TH-1200/315 EX	ACOPEL EX-315/160 N	315	160